



## OC 30 kW Generator Rental Package 60Hz

| Voltage     | Standby kW / kVA | Prime kW / kVA   |
|-------------|------------------|------------------|
| 120 / 208 V | 30 kW / 37.5 kVA | 27 kW / 33.8 kVA |
| 277 / 480 V | 30 kW / 37.5 kVA | 27 kW / 33.8 kVA |
| 120 / 240 V | 20 kW / 25 kVA   | 18 kW / 22.5 kVA |

### FEATURES

#### SOUND ATTENUATED ENCLOSURE

- Fully weatherproof aluminum enclosure highly corrosion resistant construction
  - Suitable for continuous outdoor use/exposure
- Excellent access for maintenance
  - Two large doors on each side
  - Lube oil and cooling water drains piped to exterior of the enclosure
- Security and safety
  - Lockable control panel with viewing window
  - Fuel and Battery can only be reached through lockable access doors
  - Readily accessible E-Stop
  - Fully guarded cooling fan
- Transportability
  - Tested and certified single point lifting eye
  - Fork pocket base for safe/easy handling
  - Pintle Hitch for Towing

#### ENGINE

- Perkins Tier 2 Engine
- Heavy Duty, 4-cylinder, 2.2 Liter, turbocharged, liquid cooled, 1800 RPM diesel engine for maximum reliability
- Fuel efficient
- Mechanical fuel system and governor control maintains frequency from no load to full load

Consult your Ohio CAT representative for more details.

### INSTRUMENT PANEL

- DynaGen Controller
  - Displays AC Amps, AC Volts, Watts & Frequency
  - Engine parameters such as: Battery Level and Hour Run
  - RUN/OFF push buttons for the engine control
  - Automatic shut-off for Low Oil Pressure, Overspeed, and High Coolant Temperature
- Voltage Selector Switch (located inside enclosure)
  - Voltage Switchable from 277/480V 3-phase, 139/240V 3-phase, (adjustable to 120/208V 3-Phase), 120/240V single phase

### DISTRIBUTION PANEL

- CB1 - 100 Amp 3 pole Breaker
  - With current limiting shunt trip for operation at different voltages. Shunt trip controlled through Dynagen for selected voltage
  - 5 lug connections direct from the 100 Amp Breaker, with Ground, and Neutral, phase connection
- CB2 – 20 Amp 3 pole Breaker– 3 and Single phase
  - QBS Receptacle 120/208V 3-Phase 4 pole, 5 wire 20A
- CB3 - 50 Amp 2 pole Breaker
  - California Style Receptacle: Single Phase 120/240V 3 Pole, 4Wire, 50A
- CB4 and CB5 20 Amp Single pole Breakers
  - 120V, Ground Fault Circuit Interrupted duplex outlets

| Generator Set Technical Data- 1800 rpm/60Hz   | Standby                         | Prime                           |
|---|---------------------------------|---------------------------------|
| <b>Power Rating</b>   | 30kW    37.5kVA                 | 27kW    33.8kVA                 |
| <b>Lubricating System</b><br>Type: Full Pressure<br>Oil Filter: Spin On, Full Flow      | 10 quarts                       | 10 quarts                       |
| <b>Fuel System</b><br>Generator Set Fuel Consumption<br>100% Load<br>Fuel Tank Capacity | 2.75 gallons/hour<br>50 gallons | 2.75 gallons/hour<br>50 gallons |
| <b>Running Time @ 100%</b>  | 18                              | 18                              |
| 75%   | 27                              | 27                              |
| 50%   | 36                              | 36                              |
| <b>Cooling System</b><br>Radiator System Capacity Including Engine                      | 3.43 gallons                    | 3.43 gallons                    |
| <b>Air Requirements</b><br>Combustion Air Flow<br>Maximum Air Cleaner Restriction       | 131 cfm<br>H2O-25.6 inches      | 131 cfm<br>H2O-25.6 inches      |
| <b>Exhaust System</b><br>Exhaust Flow at Rated kW<br>Exhaust Temperature at Rated kW    | 384 cfm<br>1049 °F              | 384 cfm<br>1049 °F              |
| Generator Set Noise Rating<br>(with enclosure at 7 meters)                              | 86.5 dBA                        | 86.5 dBA                        |

## SPECIFICATIONS

### GENERATOR

Voltage Regulation..... ±1.0% at steady state from  
no load to full load

Frequency Regulation..... ± 0.25% for contact load from  
no load to 100% load

Waveform distortion..... THD<4%

Radio Interface..... Compliance with EN55011

Telephone Interface..... <2%

Overspeed Limit..... 2250rpm

Insulation..... Class H

Temperature Rise..... Within Class H Limits

Available Voltages..... 3-phase voltage output:  
480/277, 208/120  
Single phase voltage output:  
120/240

Deration..... Consult Factory for available outputs

Ratings..... At 30°C (86 °F), 152.4m (500ft),  
60% humidity, 0.8pf

### ENGINE

Manufacturer.....Perkins

Model.....404C-22T

Type.....4-Cycle

Aspiration.....Turbocharged

Cylinder Configuration.....In-line 4

Displacement - L(cu in).....2.2(134)

Bore- mm(in).....84 (3.3)

Stroke- mm(in).....100 (3.9)

Compression Ratio.....23.3:1

Governor  
Type.....Fully Electronic  
Class.....ISO 8528-5 G2

Piston Speed - m/sec (ft/sec).....7.62 (25.0)

Engine Speed - rpm.....1800

Maximun Power at rated rpm kW (HP)

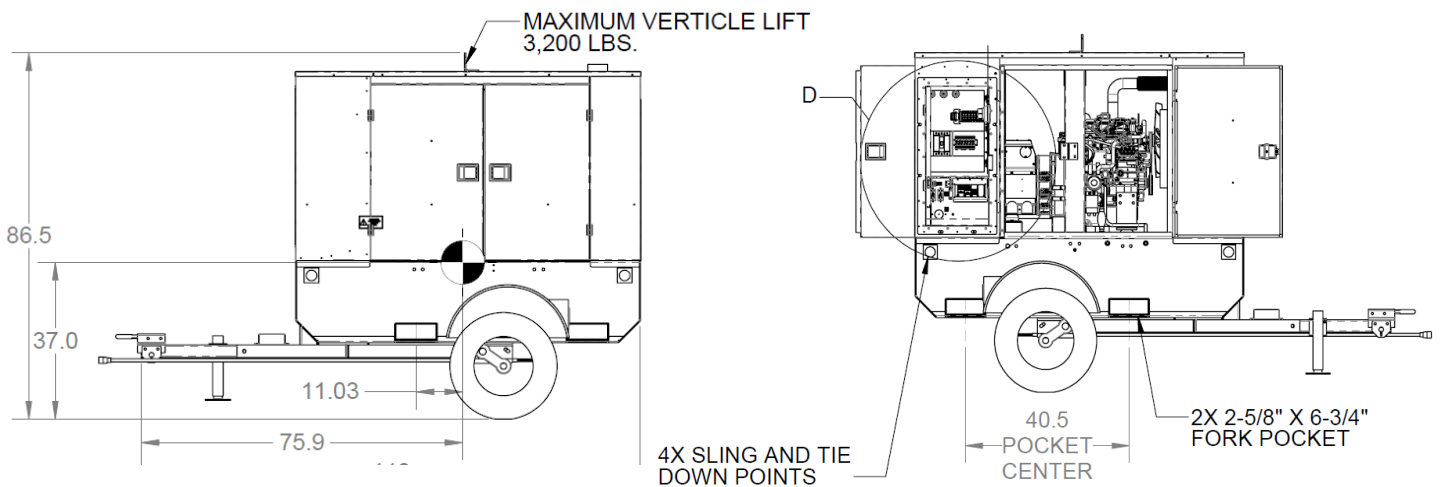
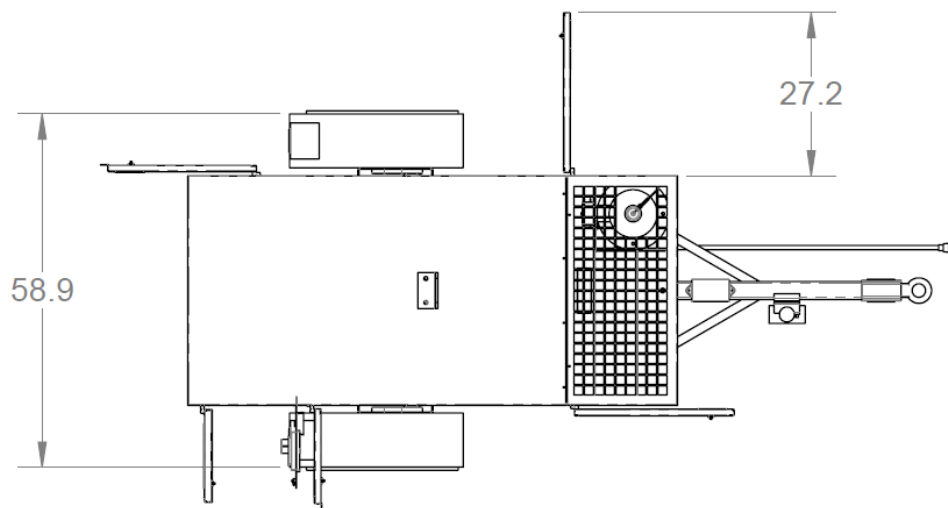
Standby.....33.3 (45)

Prime.....30 (40)

Consult your Ohio CAT representative for more details.

## Weight and Dimensions

| Model            | Length (in) | Width (in) | Height (in) | Weight                    |                                |
|------------------|-------------|------------|-------------|---------------------------|--------------------------------|
|                  |             |            |             | With Lube Oil and Coolant | With Fuel Lube Oil and Coolant |
| OC30KW           | 81.6        | 39.4       | 68.4        | 2250                      | 2610                           |
| OC30KW w/Trailer | 118         | 58.9       | 86.5        | 2600                      | 2960                           |



Consult your Ohio CAT representative for more details.

©2020 Ohio CAT  
All rights reserved.  
Materials and specifications are subject to change without notice.